



Service bulletin

C. 275

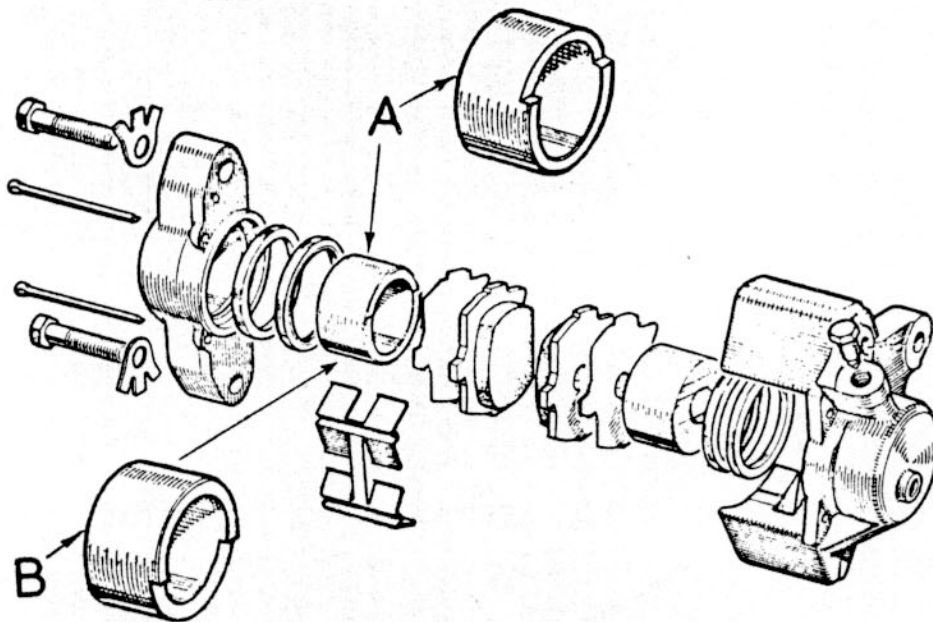
THE BRITISH MOTOR CORPORATION (AUSTRALIA) PTY. LIMITED

FOR THE ATTENTION OF SERVICE & PARTS MANAGERS.

DISC BRAKES

When fitting disc brakes to the calliper housing, care should be taken to ensure that the cutaway part of the piston is correctly positioned.

With the 1100, the cutaway part of the piston faces uppermost, as shown at 'A' (right hand calliper drawn).



MORRIS

1100

SPRITE
Mk IIA

In the case of the Sprite, the cutaway part of the piston faces downwards, as shown at 'B'.

With this model the calliper is mounted at the rear of the brake disc. The illustration thus depicts the left-hand arrangement.

N. Prescott
N. Prescott
Service Manager.

A/528
22.5.64
Page 1 of 1